



## Spin Dryers Vegetable Dryer, 10 Kg with resin basket

ITEM # \_\_\_\_\_

MODEL # \_\_\_\_\_

NAME # \_\_\_\_\_

SIS # \_\_\_\_\_

AIA # \_\_\_\_\_



**603651 (DELX65F5)**

10 kg vegetable dryer with 65 lt basket volume. Spin drying automatic cycle. Plastic basket

### Short Form Specification

Item No. \_\_\_\_\_

Body and panels in stainless steel, lid in plastic material. Removable resin basket (65 litres). Flat and waterproof touch button control panel. Two cycles: "automatic" which alternates rotation with several sudden stops (for all vegetables); "manual" thanks to the adjustable timer up to 59 minutes (for delicate vegetables). Residual water is eliminated through an outlet pipe. Equipped with self-braking motor which stops the machine after the set drying time or if the lid is open during the cycle. IP55 and IP34 protection. V-ribbed belt drive. Basket rotation speed: 330 rpm. Load capacity: 10 kg, - 18 lettuce heads.

### Main Features

- Spin drying automatic cycle with short drying time (1 to 2 minutes).
- "Automatic" cycle alternates rotation to several sudden stops, suitable for all vegetables.
- "Manual" cycle uses adjustable timer up to 59 minutes, to be used for delicate vegetables.
- Outlet pipe eliminates residual water.
- Timer with digital display and countdown.
- Heavy vegetables load per cycle: 10 Kg
- Light vegetables load per cycle: 18 units of lettuce heads.
- Safety device stops the machine when the cover is opened.
- Electrical braking system to stop basket rotation in a matter of seconds at the end of the cycle or when lid is opened.

### Construction

- Stainless steel body and panels.
- Removable resin basket, 65 liters capacity.
- Basket rotates at approximately 330 rpm.

### Included Accessories

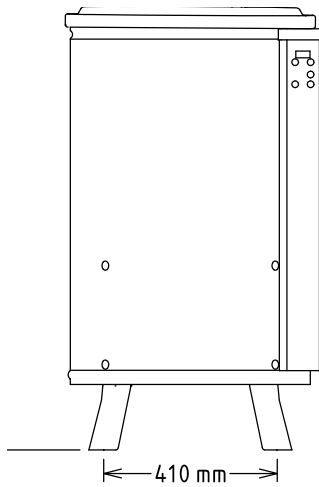
- 1 of Additional plastic basket for 10 kg vegetable dryer PNC 653304

### Optional Accessories

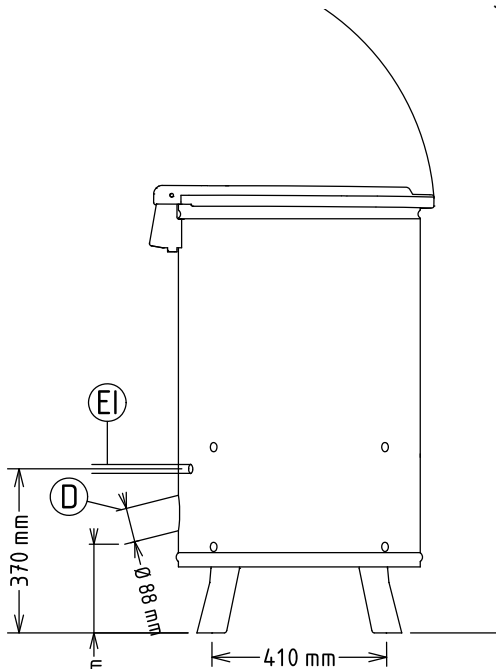
- Stainless steel basket with aluminium base for 10 kg vegetable dryer PNC 653303
- Additional plastic basket for 10 kg vegetable dryer PNC 653304

APPROVAL: \_\_\_\_\_

Front

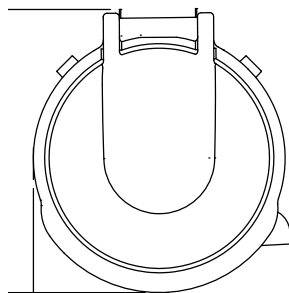


Side



**D** = Drain  
**EI** = Electrical inlet  
(power)

Top



## Electric

<b>Supply voltage:</b>	220-240/380-415 V/3 ph/50 Hz
<b>Electrical power, max:</b>	0.75 kW
<b>Total Watts:</b>	0.75 kW

## Key Information:

<b>External dimensions, Width:</b>	578 mm
<b>External dimensions, Depth:</b>	639 mm
<b>External dimensions, Height:</b>	1005 mm
<b>Shipping weight:</b>	71 kg
<b>Well Capacity:</b>	65 lt
<b>Usable well capacity:</b>	65 lt
<b>Load per cycle - light vegetables:</b>	18 UNITS OF LETTUCE
<b>Load per cycle - heavy vegetables:</b>	ISO 9001; ISO 14001